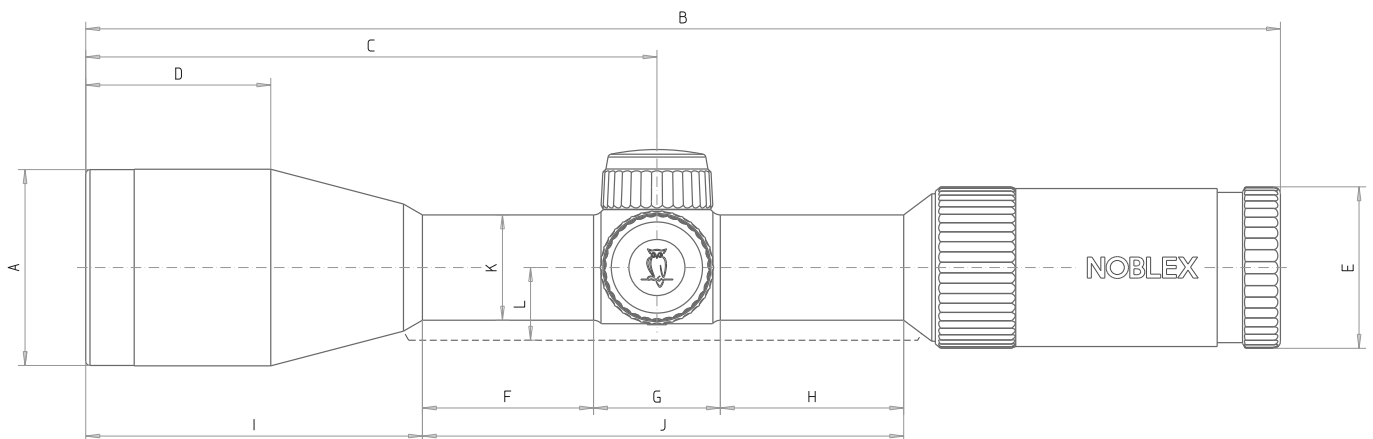


Technische Daten auf einen Blick



Abmessung der Baulängen und Durchmesser in mm*

	A	B	C	D	E	F	G	H	I	J	K	L
NZ8 LR inception												
2,5-20x50	59	351	170,5	46,5	43	45,5	45	68	102,5	158,5	34	-
NZ8 inception												
1-8x28	34	325	122	-	47	-	37	79	-	220	34	25
2-16x50	57	356	155	53	47	47	37	79	89	165	34	25
2,5-20x50	57	380	178	47	47	64	37	79	98	180	34	25
3-24x56	62	408	204	61	47	62	37	79	120	180	34	25
NZ6 inception												
1-6x24	30	282	99	-	46	-	35	59	-	-	30	-
1-6x24 (ASV)	30	257	94	-	44	-	38	53	-	165	30	-
1,7-10x42	49	326	142	29	46	41	35	59	84	134	30	-
2-12x50	56,1	355	170	37	46	46	35	59	107	140	30	-
2-12x50 (ASV)	59	324	170	51	44	48	38	51	-	140	30	-
2-12x50 R	56,1	355	170	37	46	46	35	59	107	140	-	-
3-18x56	62,6	371	188	48	46	56	35	59	114	150	30	-
3-18x56 R	62,6	371	188	48	46	56	35	59	114	150	-	-
5-30x56	62,6	410	227	46	46	80	35	59	174	174	30	-

* Die Längenangaben werden in Null-Position der Dioptrieneinstellung gemessen.

Anschlussmaße Filtergewinde:

NZ6 1-6 x 24 inception: M 28 x 0,5

NZ6 1,7-10 x 42 inception: M 44 x 0,75

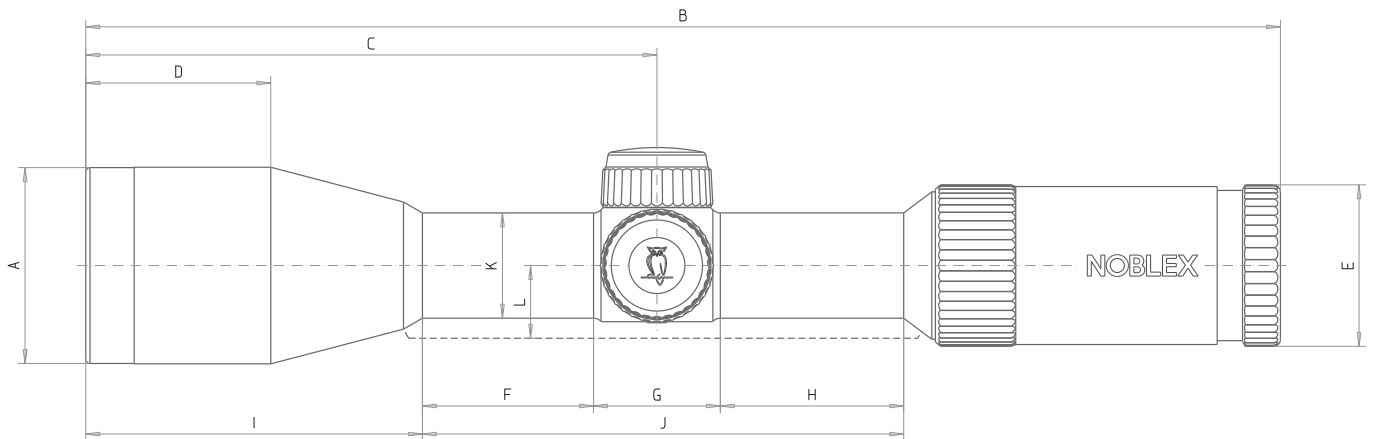
NZ6 2-12 x 50 inception: M 54 x 0,75

NZ6 2-12 x 50 inception (ASV vector edition): M 56 x 0,75

NZ6 3-18 x 56 und 5-30 x 56 inception: M 61 x 0,75

NZ8 2,5-20 x 50 LR inception: M 53 x 0,75. Adaption mit Rusan Klemmadapter.

Technical specifications at a glance



Dimensions of overall length and diameters

	A	B	C	D	E	F	G	H	I	J	K	L
NZ8 LR inception												
2.5-20x50	59	351	170.5	46.5	43	45.5	45	68	102.5	158.5	34	-
NZ8 inception												
1-8x28	34	325	122	-	47	-	37	79	-	220	34	25
2-16x50	57	356	155	53	47	47	37	79	89	165	34	25
2.5-20x50	57	380	178	47	47	64	37	79	98	180	34	25
3-24x56	62	408	204	61	47	62	37	79	120	180	34	25
NZ6 inception												
1-6x24	30	282	99	-	46	-	35	59	-	-	30	-
1-6x24 (ASV)	30	257	94	-	44	-	38	53	-	165	30	-
1.7-10x42	49	325	140	33	46	44	35	59	80	138	30	-
2-12x50	56.1	355	170	37	46	46	35	59	107	140	30	-
2-12x50 (ASV)	59	324	170	51	44	48	38	51	-	140	30	-
2-12x50 R	56.1	355	170	37	46	46	35	59	107	140	30	-
3-18x56	62.6	371	188	48	46	56	35	59	114	150	30	-
3-18x56 R	62.6	371	188	48	46	56	35	59	114	150	-	-
5-30x56	62.6	410	227	46	46	80	35	59	174	174	30	-

* The length specifications are measured at zero position of the dioptre adjustment.

Connection dimensions filter thread

NOBLEX NZ6 1-6x24 inception: M 28x0.5

NOBLEX NZ6 1.7-10x42 inception: M 44x0.75

NOBLEX NZ6 2-12x50 inception: M 54x0.75

NOBLEX NZ6 2-12x50 inception (ASV vector edition): M 56x0.75

NOBLEX NZ6 3-18x56 and 5-30x56 inception: M 61x0.75

NOBLEX NZ8 2.5-20x50 LR inception: M 53x0.75. Adaption with Rusan clamping adapter.